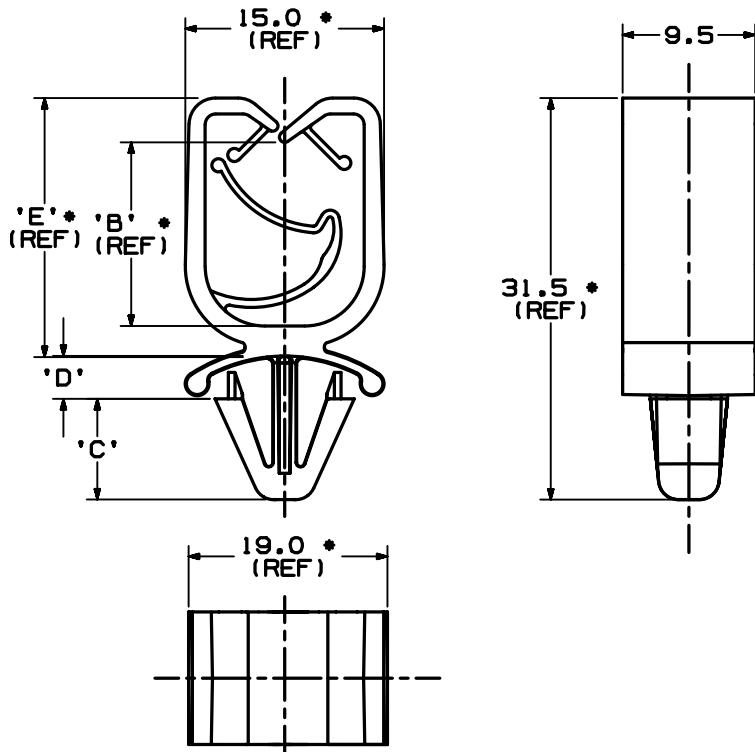


THIS COPY IS PROVIDED ON A RESTRICTED BASIS AND IS NOT TO BE USED IN ANY WAY DETRIMENTAL TO THE INTERESTS OF PANDUIT CORPORATION.

| PANDUIT PART NO. | BUNDLE DIA MIN - MAX. | DIMENSIONS | | | | MATERIAL | COLOR | WEIGHT grams 100 pcs |
|------------------|-----------------------|------------|-----|-----|------|-----------|-------|-------------------------|
| | | 'B' | 'C' | 'D' | 'E' | | | |
| HCMP06B12-...20 | 6 - 12 | 13.8 | 7.4 | 4.6 | 19.5 | NYLON 6/6 | BLACK | 150 |
| HCMP06B12-...130 | | ACETAL | | | | | | |



SCALE: FULL

NOTES:

- SEE CURRENT PRICE SHEET FOR PART NUMBER SUFFIX DESIGNATION FOR PACKAGE SIZE, AND COLOR.
- (*) DIMENSIONAL VARIANCE IS POSSIBLE DUE TO MOLDING PROCESS RELATED SINK MARKS.
- APPLICATION SPECIFICATION:
HOLE DIAMETER: 6.3 - 7.2 mm
PANEL THICKNESS: 0.6 - 3.0 mm

| | | | |
|---|--------|--------------------------|------------|
| Dwg FILENAME/LAYERS | | G01932BE_PB_HCMP06B12_03 | |
| PANDUIT CORP. | | TINLEY PARK, ILLINOIS | |
| HARNESS CLIP WITH PUSH MOUNT ANCHOR | | | |
| Unless otherwise specified, all dimensions are metric tolerance; ±0.5mm | | | |
| DRAWN BY | JAD | MAT'L: | SCALE NONE |
| DATE | 6-6-98 | SEE TABLE | DWG NO. |
| CHK'D | | | GB1932BE |

| | | | | | | | | | |
|-----|---------|-----|-----|---|----------|---|------|-----|--|
| 3 | 4/29/03 | JAD | | COMPLETELY REVISED, REMOVED GERMAN TEXT | GB1932BE | 3 | | | |
| REV | DATE | BY | CHK | DESCRIPTION | ECN | R | CUST | SUP | |